

SPINNER

U-1520 Compact

Universal Machining Centre



Mechanical Engineering
Made in Europe

www.spinner.eu.com
sales@spinner.eu.com

Machine Highlights

Available in 3 configurations

U3-1520: 3-axes-version with large fixed table

U4-1520: 4-axes-version with large rotary table and fixed table on left side in the working area

U5-1520: 5-axes-version with integrated rotary/tilting table and fixed table on left side in the working area

Compact dimensions for low space requirement

High spindle speeds

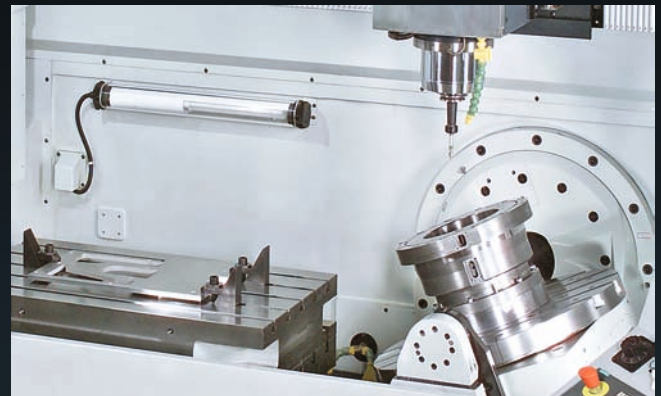
2nd sliding operator door

Tool magazine with up to 54 tools

Electronic handwheel as standard

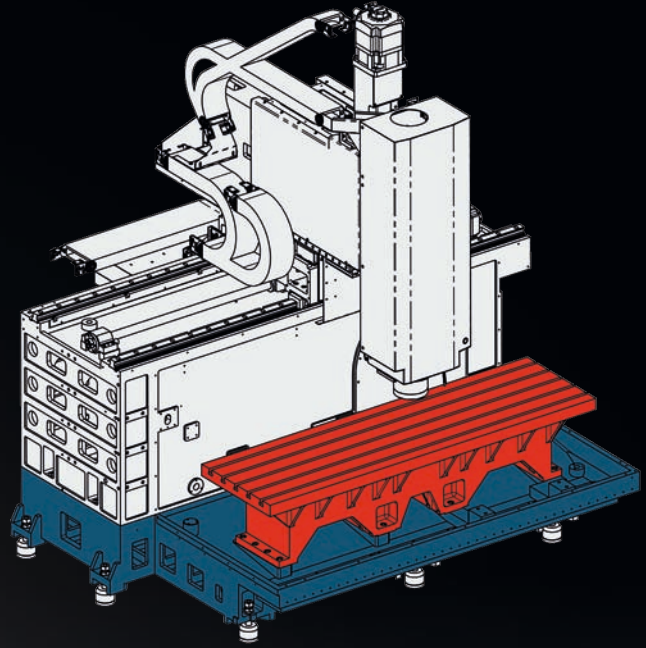
Large panoramic window

Best accessibility by 2 large sliding operator doors

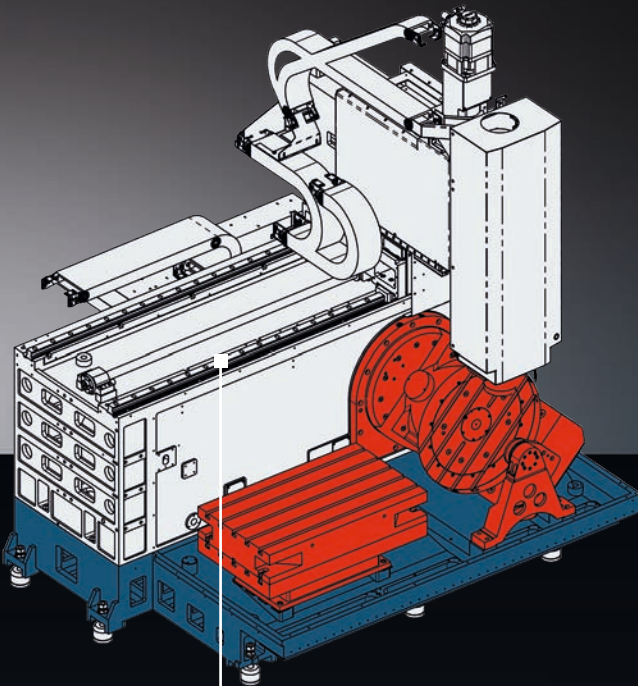


- High rigidity
- High spindle speeds
- High rapid traverse
- Optimally compact
- Best accessibility

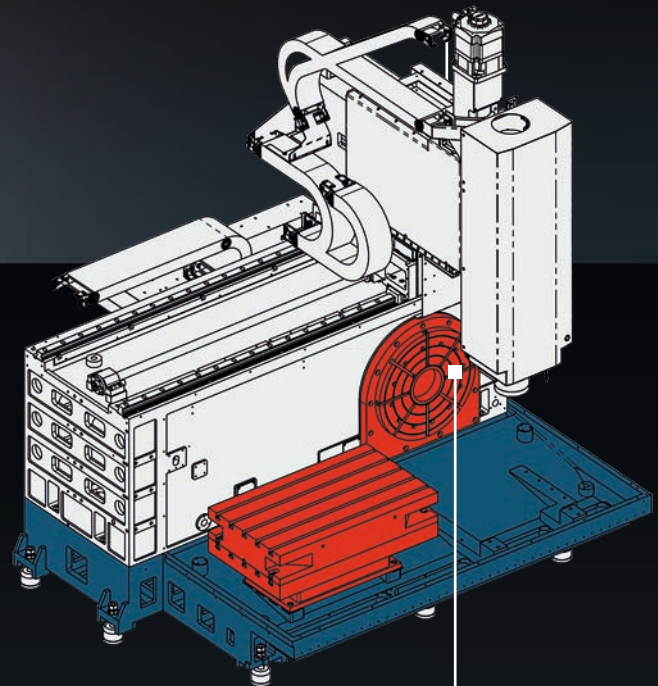
U3-1520 [Fixed table]



U5-1520 [Rotary/Tilting table]



U4-1520 [Rotary table]



All versions with modern linear guides for high rapid traverse

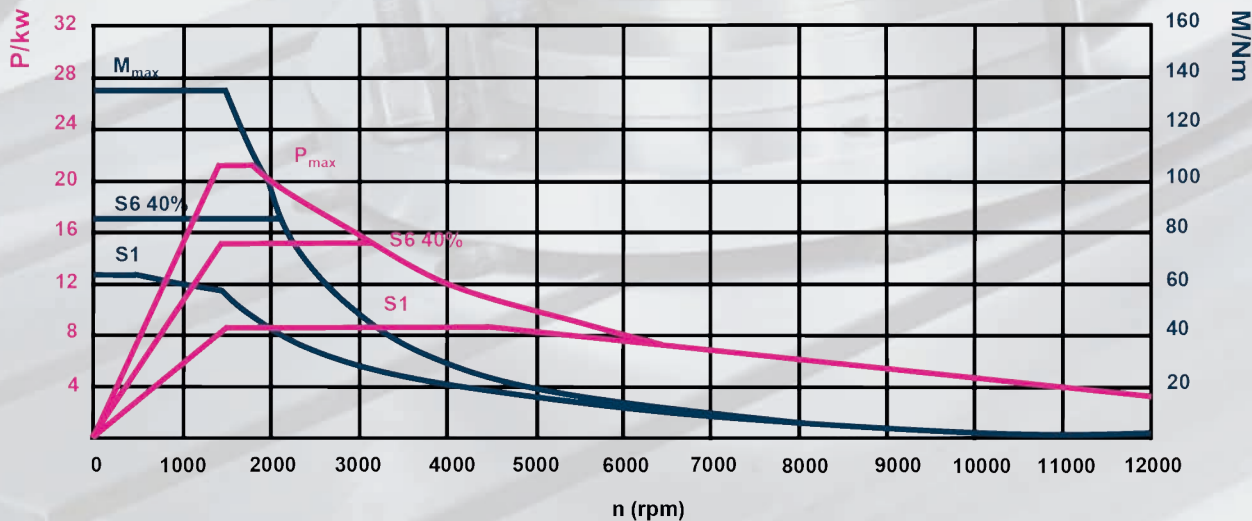


Clamping table U4-1520
Clamping surface on both sides

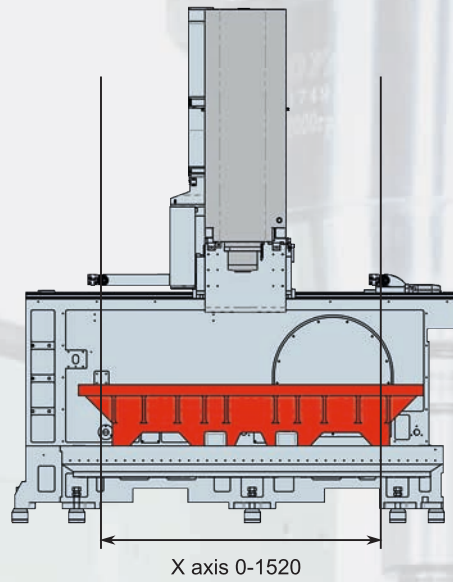
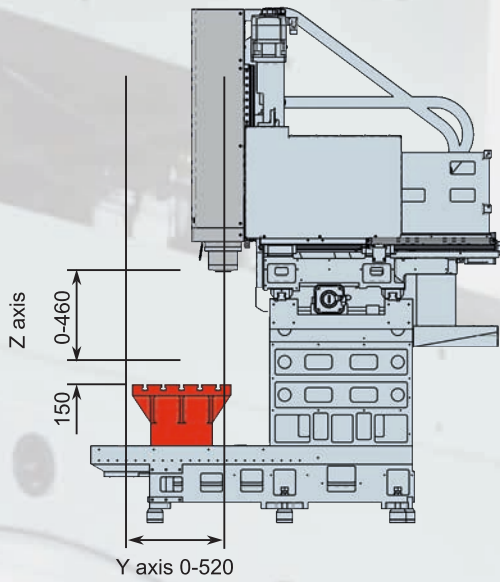
Working area	U3-1520	U4-1520	U5-1520
X axis	1520 mm		
Y axis	520 mm		
Z axis	460 mm		
Min. distance spindle nose - table surface	150 mm	25 mm ¹⁾	150 mm
Max. distance spindle nose - table surface	610 mm	485 mm ¹⁾	610 mm
Table			
Table dimensions	1920 x 540 mm	410 x 610 mm ²⁾ / Ø 560 mm ³⁾	Ø 650 / 545 mm
Max. table load	2000 kg	400 kg	500 kg
T-slots	18H8	14H8	18H8
Axes			
Feed / rapide traverse	32 m/min (optional 48 m/min)		
Number of simultaneously interpolated axes	3 (4)	4	4
Spindle			
Max. speed	9.000 rpm (optional 12.000 1/min)		
Tool taper	SK40 / BT40		
Performance P _{max}	22 kW		
Torque M _{max}	135 Nm		
Tool magazine			
Number of tool stations	24 (optional 32 / 54)		
Max. tool diameter	76 mm		
In case of free adjacent tool stations	127 mm		
Max. tool length	290 mm		
Max. tool weight	7 kg		
General indications			
Dimensions (L x W x H) ⁴⁾	4530 x 2470 x 3035 mm		
Weight ⁵⁾	~ 8.500 kg (according to the equipment)		

1) With optional clamping table, 2) Clamping table, 3) Rotary table, 4) See floorplan, 5) Machine net weight

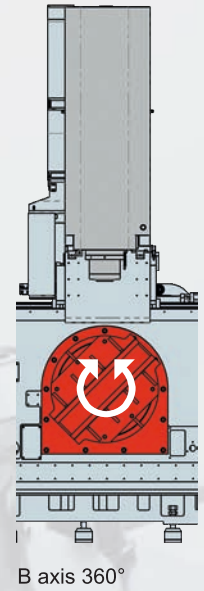
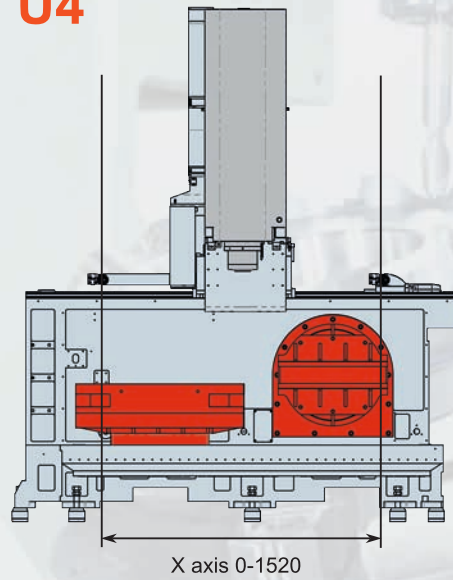
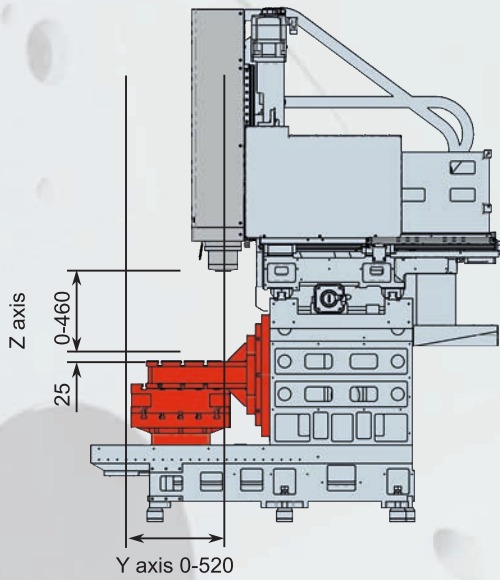
Standard spindle 9.000 rpm; optional spindle 12.000 rpm



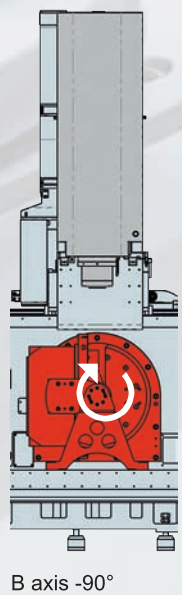
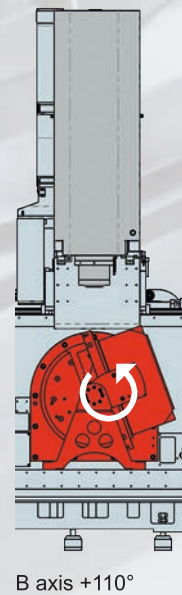
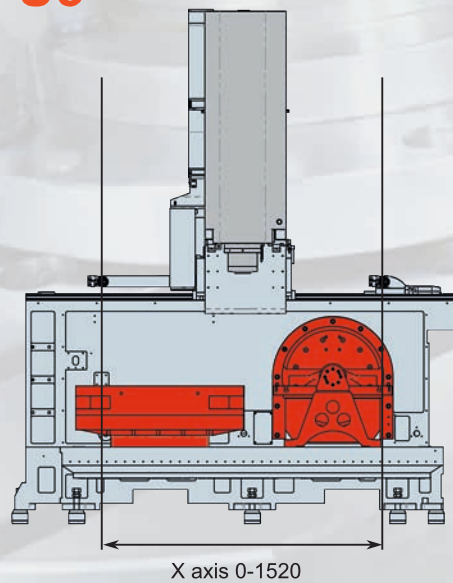
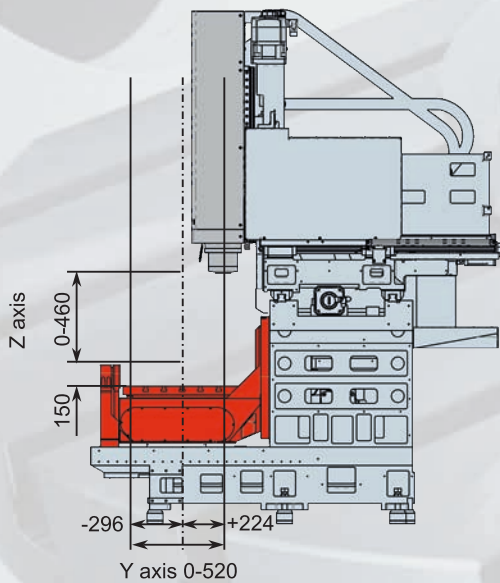
U3

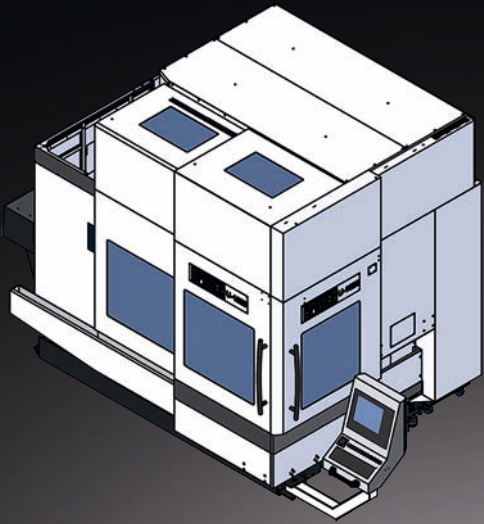


U4



U5





Machine housing closed on top

Milling spindle with 12.000 rpm



Air nozzle at headstock

High pressure coolant 22 bar through the spindle

Chip conveyor

Glass scales in X/Y/Z

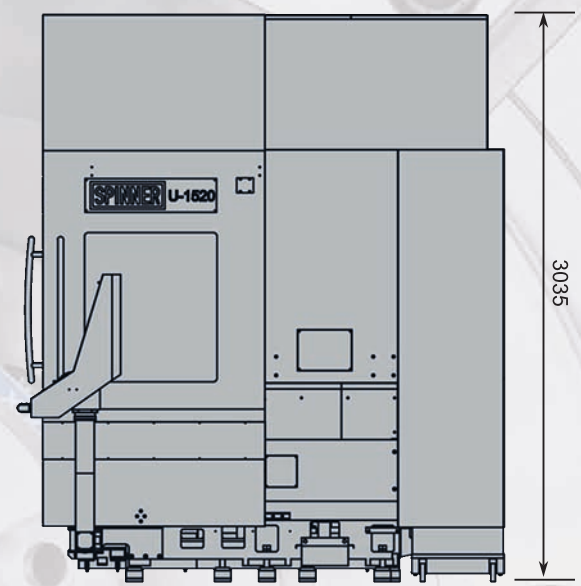
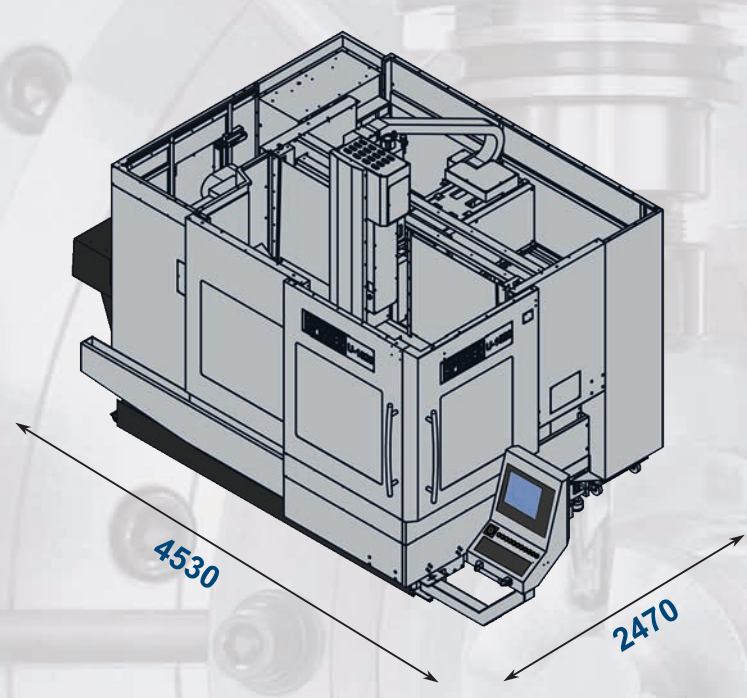
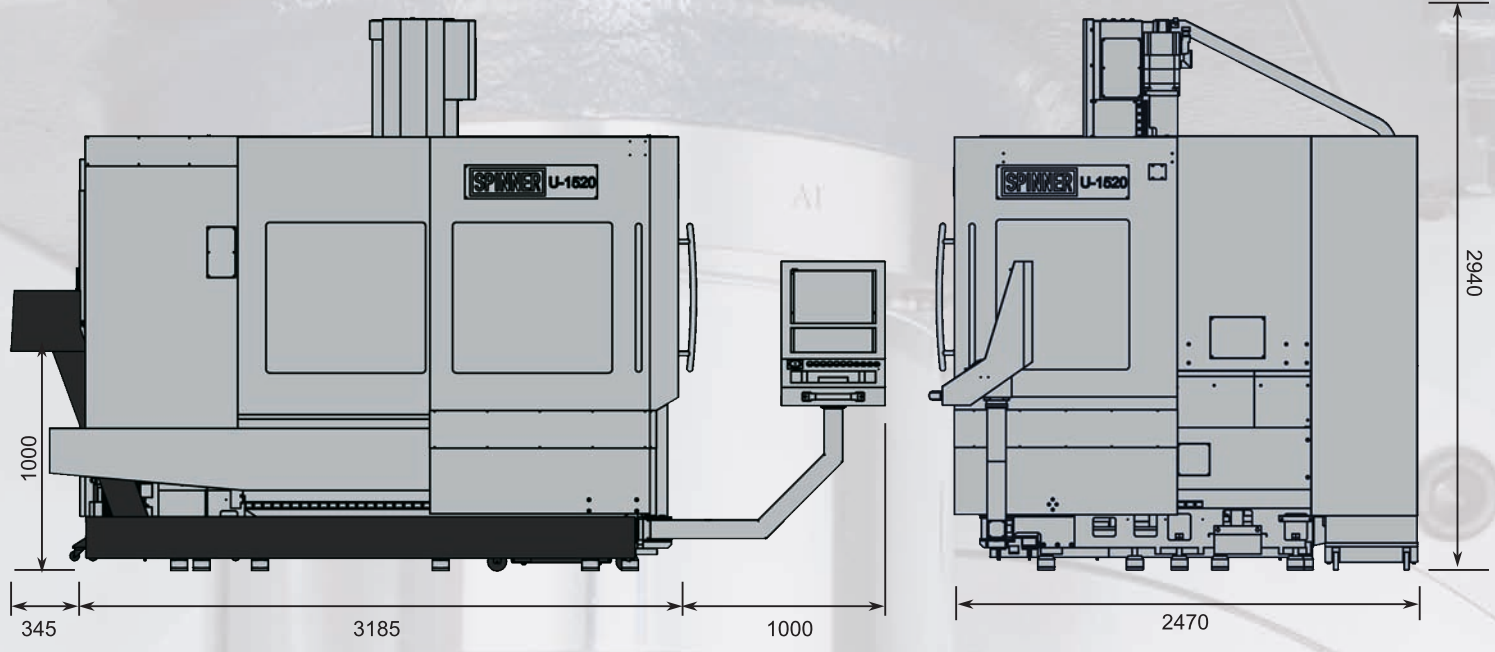
Higher rapid traverse 48 m/min

Coolant pistol in the working area

Magazine enlargement to 32/54 tools

Clamping table for U4-1520





Height of machine with top-cover

Compact dimensions for low space requirement

■ Version with standard chip conveyor



Werkzeugmaschinenfabrik GmbH



Spinner Machine-Tools are working successfully world wide with many well known clients in more than 60 countries on 6 continents. We have been fortunate enough to attract small component suppliers in addition to well known global groups in all metal machining industries.

We have designed and produced the most modern machine-tools since 1950. More than 20.000 delivered machines demonstrate their high efficiency, precision and reliability, everyday.

Although Spinner is a medium-sized enterprise we produce and sell more than 1.000 CNC machines a year. And the number is increasing every year. Our company combines the know-how of a global player with the flexibility and cost-effective structures of a family owned business.

Place your trust in our products as well and let us know what we can do for you.



Video

SPINNER Werkzeugmaschinenfabrik GmbH

Rudolf-Diesel-Ring 24

82054 Sauerlach

Tel. +49 (0) 8104 803-0

Fax +49 (0) 8104 803-19

sales@spinner.eu.com



Version 19.4.2017

Technical changes of specifications and pictures are subject to change without notice - Pictures can include options, accessories